

D MONTAGE- UND GEBRAUCHSANWEISUNG

GB INSTRUCTION ON MOUNTING AND USE

F PRESCRIPTIONS DE MONTAGE ET MODE D'EMPLOI

NL MONTAGEVOORSCHRIFTEN EN GEBRUIKSAANWIJZING

E MONTAJE Y MODO DE EMPLEO

I ISTRUZIONI DI MONTAGGIO E D'USO

D

Leistungsfähigkeitstests des Produkts, durchgeführt in Übereinstimmung mit der EU-Verordnung Nr. 65/2014 – Ref.: IEC 61591 Die höchste Leistungsfähigkeit wird erreicht, wenn eventuell vorhandene Verkleidungsplatten geöffnet sind.

Bei allen Hauben mit einer Leistungsfähigkeit von über 650 m³/h ist die letzte Stufe zeitgesteuert; sie läuft mit einer Dauer von 7 Minuten, danach schaltet sie automatisch wieder auf die letzte, nicht zeitgesteuerte Stufe zurück.

Reduzierung der Umweltbelastung:

Um den Verbrauch des Haushaltsgeräts so gering wie möglich zu halten, empfiehlt es sich, immer die geringste der für die Kochart geeigneten Absauggeschwindigkeiten zu benutzen, das Gerät nicht länger als 15 Minuten nach dem Ausschalten der Kochfelder in Betrieb zu lassen und die Beleuchtung immer auszuschalten, wenn man sich von dem Kochbereich entfernt.

EN

Product performance test carried out in accordance with standard (EU) No 65/2014-Ref: IEC 61591

Maximum performance is achieved by placing the mobile panels, if any, in the open position.

All hoods with capacities exceeding 650 m³/h have the last timed speed; It lasts for 7 minutes, after which it automatically returns to the last non-timed speed.

Reducing environmental impact:

To reduce energy consumption, we recommend you always use the lowest suction speed among those suitable for the cooking mode currently active, avoid leaving the appliance running for more than 15 minutes after burner shutdown and switch off the lights if you leave the cooking area.

F

Tests sur les performances du produit réalisés conformément au règlement (EU) N° 65/2014 - Réf. : CEI 61591

On obtient le maximum des performances en positionnant les panneaux mobiles, s'ils sont présents, en position ouverte.

La dernière vitesse est temporisée sur toutes les hottes ayant un débit supérieur à 650 m³/h ; elle a une durée de sept minutes après quoi on revient automatiquement à la dernière vitesse non temporisée.

Réduction de l'impact environnemental:

Pour contenir les consommations de l'électroménager, il est conseillé de toujours utiliser la vitesse d'aspiration la plus basse parmi celles les plus adaptées au type de cuisson en cours, de ne pas laisser le dispositif en fonction pour plus de 15 minutes après l'arrêt des feux et de toujours éteindre les lumières si le consommateur s'éloigne de la zone de cuisson.

NL

Tests van de prestatie van het product uitgevoerd in overeenkomst met de regelgeving (EU) Nr 65/2014 - Ref: IEC 61591

De maximale prestatie wordt behaald door de mobiele panelen, indien aanwezig, in de open positie te plaatsen.

Alle kappen met een vermogen van meer dan 650 m³/u hebben de laatste getimede snelheid; deze heeft een duur van 7 minuten, op het einde daarvan valt ze automatisch terug naar de laatste niet getimede snelheid.

Beperking van milieuverontreiniging:

Om het verbruik van het apparaat te beperken, is het raadzaam om steeds een lagere zuigsnelheid dan vereist in te schakelen, het apparaat na het doven van de branders niet langer dan 15 minuten te laten werken en steeds de lichten uit te schakelen als de kookzone wordt verlaten.

ES

Prueba de rendimiento del producto efectuada de acuerdo con lo dispuesto en el Reglamento (UE) 65/2014 - Ref.: IEC 61591

El máximo rendimiento se obtiene mediante la colocación de los paneles móviles, si los hubiera, en posición abierta.

Todas las campanas con capacidades superiores a 650 m³/h tienen la última velocidad programada. Dicha velocidad tiene una duración de 7 minutos, al final de la cual retorna automáticamente a la última velocidad no programada.

Reducción del impacto ambiental:

Para reducir el consumo del electrodoméstico, se recomienda utilizar siempre la velocidad de aspiración más baja entre las adecuadas al tipo de cocción en curso, no dejar el dispositivo en funcionamiento durante más de 15 minutos después de apagar el fuego y, apagar siempre las luces, si nos alejamos del área de cocción.

I

Test sulle performance del prodotto eseguiti in conformità al regolamento (EU) No 65/2014 - Ref: IEC 61591

Il massimo delle performance si ottiene posizionando i pannelli mobili, se presenti, in posizione aperta.

Tutte le cappe con portate superiori ai 650 m³/h hanno l'ultima velocità temporizzata; essa ha una durata di 7 minuti, al termine dei quali ritorna automaticamente all'ultima velocità non temporizzata.

Riduzione dell'impatto ambientale:

Per contenere i consumi dell'elettrodomestico si raccomanda di utilizzare sempre velocità di aspirazione più bassa tra quelle adeguate al tipo di cottura in corso, di non lasciare il dispositivo in funzione per più di 15 minuti dopo lo spegnimento dei fuochi, e di spegnere sempre le luci se ci si allontana dall'area di cottura.

SV

Produktens prestandaterster utförda enligt standard (EU) Nr 65/2014 - Ref: IEC 61591

Den maximala prestandan uppnås genom att placera de rörliga panelerna i öppet läge, om sådana finns.

I alla kåpor med flöden över 650 m³/h är den sista hastigheten tidsstyrd; dess varaktighet är 7 minuter, efter vilka den återgår automatiskt till den senaste icke tidsstyrda hastigheten.

Minskad Miljöpåverkan:

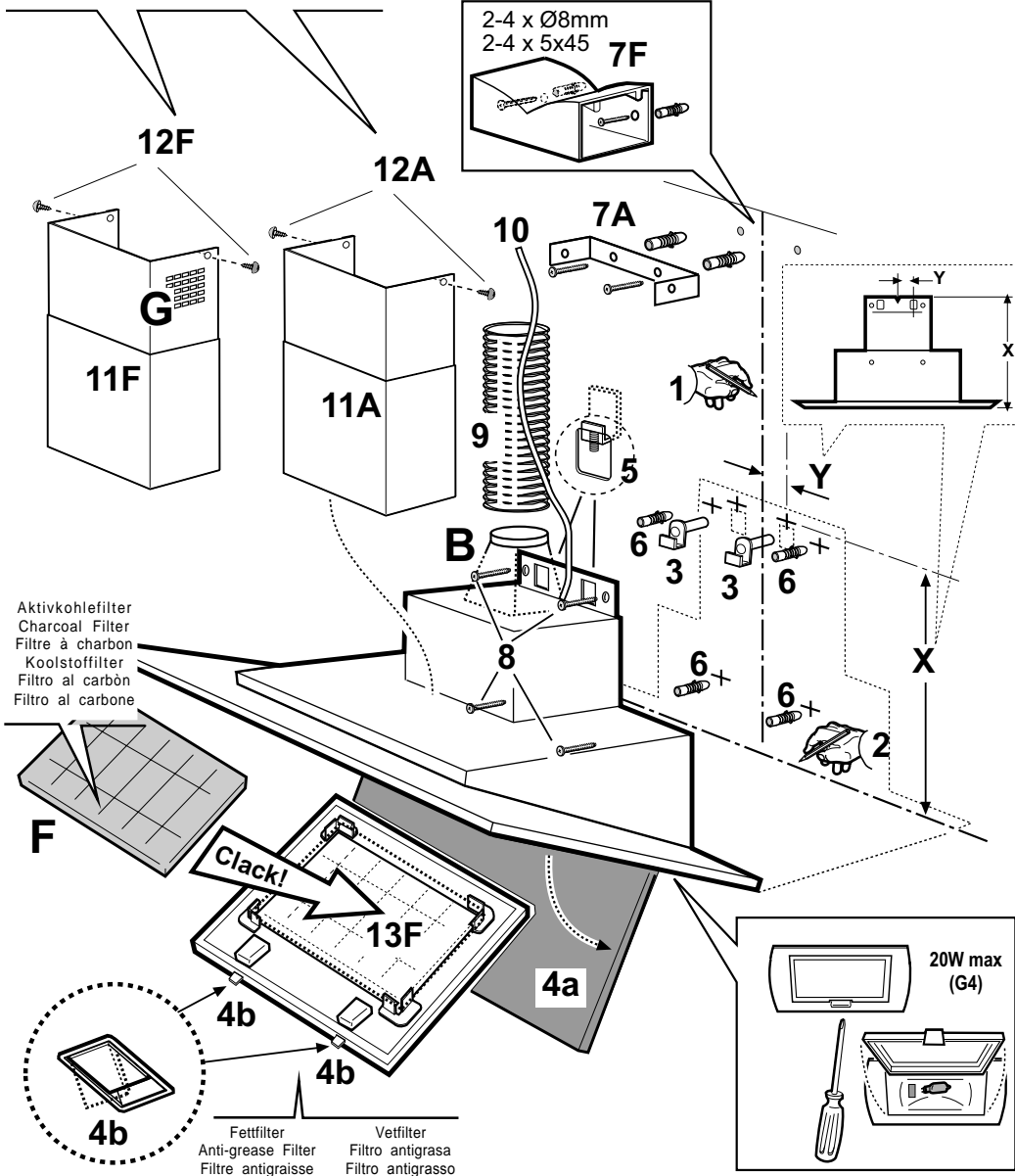
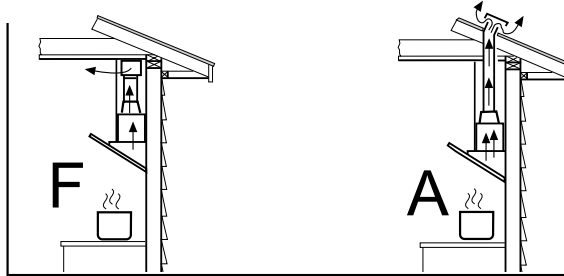
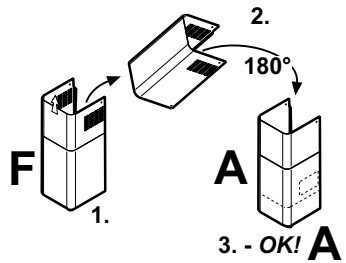
För att reducera hushållsapparaten strömförbrukning, rekommenderar vi att alltid tillämpa den lägsta fläkthastigheten, bland dem som är lämpliga för typen av pågående tillagning, att inte låta apparaten vara i funktion i mer än 15 minuter efter att ha stängt av gaslågorna och att alltid släcka ljuset när du avlägsnar dig från tillagningsområdet.

HU

A termék teljesítmény tesztjei a 65/2014/EU - Ref: IEC 61591 rendelet szerint lettek végrehajtva.

A legnagyobb teljesítmény akkor érhető el, ha a mozgó paneleket, amennyiben vannak ilyenek, nyitott állapotba helyezzük.

Minden páraelszívó berendezésnél, melynek 650 m³/h-nál nagyobb a teljesítménye, az utolsó sebesség temporizált; ennek az időtartama 7 perc, miután ez az idő lejár, a sebesség automatikusan visszatér az utolsó nem temporizált sebességre.



Aktivkohlefilter
 Charcoal Filter
 Filtre à charbon
 Koolstoffilter
 Filtro al carbòn
 Filtro al carbone

GB INSTRUCTION ON MOUNTING AND USE

Consult the designs in the front pages referenced in the text by alphabet letters. **Closely follow the instructions set out in this manual.** All responsibility, for any eventual inconveniences, damages or fires caused by not complying with the instructions in this manual, is declined.

Installation

The cooker hood must be placed at a minimum distance of 65 cm from the cooking plane for electric cookers and 75cm for gas or mixed cookers.

If the instructions for installation for the gas hob specify a greater distance, this has to be taken into account.

Do not tile, grout or silicone this appliance to the wall. Surface mounting only. Do not fix chimney flue to furniture or fly over shelves unless the chimney flue can be easily removed, in case maintenance is ever required.

Use

The cooker hood is provided with an upper air exit **B** for discharging fumes externally for models including chimney flue **C** (**Suction Version A**- exhaust pipe not supplied).

If cooking fumes and vapours cannot be externally discharged, the cooker hood can be used in the **recirculating version F**: the installation of 1 active charcoal filter **F** allows the recirculation of fumes and vapours through the upper grid **G**.

Electrical connection

The electrical tension must correspond to the tension noted on the label placed inside the cooker hood. Connect the electrical plug, where provided, to the an easily accessible outlet in conformity with local standards in force.

Where an electrical plug is not provided (for direct connection to electrical network) place a standards approved bipolar switch with an aperture distance of not less than 3mm (accessible) from the contacts.

Operation

- a** a. ON/OFF lighting
b. OFF motors
- 1 - 2 - 3.** Minimum suction power (1), medium (2), maximum (3).
You can make the 1 - 2 - 3. speed function for 5 minutes, after which the hood switches off.
- 1** To use this function, after having pressed the key to choose the desired speed, press again.
Use the high suction speed in cases of concentrated kitchen vapours. It is recommended that the cooker hood suction is switched on for 5 minutes prior to cooking and to leave in operation during cooking and for another 15 minutes approximately after terminating cooking.
- 2**
- 3**

Maintenance

Prior to any maintenance operation ensure that the cooker hood is disconnected from the electrical outlet.

Cleaning

The cooker hood should be cleaned regularly internally and externally.

For cleaning use a cloth moistened with denatured alcohol or neutral

liquid detergents. Avoid abrasive detergents.

Warning: Failure to carry out the basic standards of the cleaning of the cooker hood and replacement of the filters may cause fire risks. Therefore we recommend observing these instructions.

Anti-grease Filter:

must be cleaned once a month, with non abrasive detergents, by hand or in dishwasher on low temperature and short cycle.

When washed in a dishwasher, the grease filter may discolour slightly, but this does not affect its filtering capacity.

Charcoal Filter - (only for filter version)

The active charcoal filters **E** are not washable nor regenerative. It should be changed every 6 months in normal use.

The active charcoal filters capture unpleasant cooking odours.

Replacing lightbulbs

Warning! Prior to touching the light bulbs ensure they are cooled down.

Extract the lamp cover by levering it off with a small screwdriver or similar tool.

Replace the damaged light bulb.

Only use halogen bulbs of 20W max (G4), making sure you do not touch them with your hands.


Close the lamp cover (it will snap shut).

Caution

This appliance is designed to be operated by adults. Children should not be allowed to tamper with the controls or play with the appliance. Do not use the cooker hood where the grill is not correctly fixed! The suctioned air must not be conveyed in the same channel used for fumes discharged by appliances powered by other than electricity. The environment must always be adequately aerated when the cooker hood and other appliances powered by other than electricity are used at the same time. Flambé cooking with a cooker hood is prohibited. The use of a free flame is damaging to the filters and may cause fire accidents, therefore free flame cooking must be avoided. Frying of foods must be kept under close control in order to avoid overheated oil catching fire. Carry out fumes discharging in accordance with the regulations in force by local laws for safety and technical restrictions.

This appliance is marked according to the European directive 2002/96/EC on Waste Electrical and Electronic Equipment (WEEE). By ensuring this product is disposed of correctly, you will help prevent potential negative consequences for the environment and human health, which could otherwise be caused by inappropriate waste handling of this product.



The symbol  on the product, or on the documents accompanying the product, indicates that this appliance may not be treated as household waste. Instead it shall be handed over to the applicable collection point for the recycling of electrical and electronic equipment. Disposal must be carried out in accordance with local environmental regulations for waste disposal.

For more detailed information about treatment, recovery and recycling of this product, please contact your local city office, your household waste disposal service or the shop where you purchased the product.