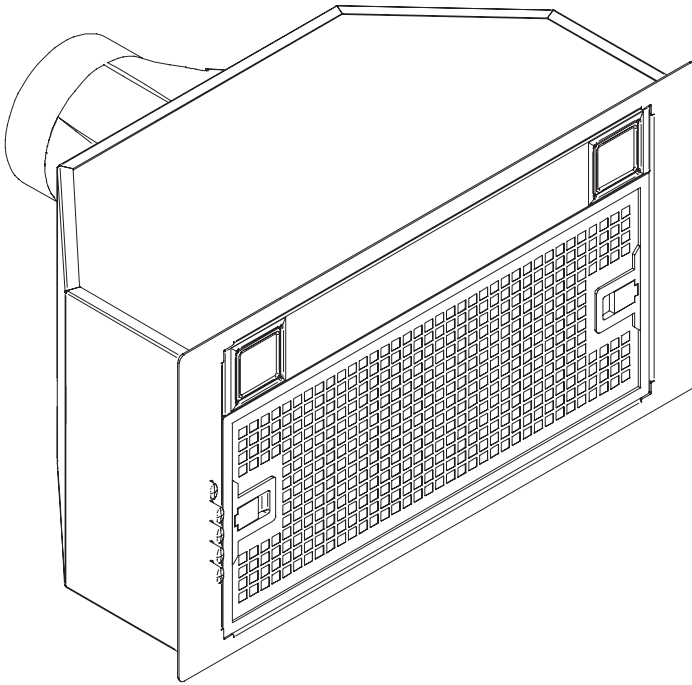


MODEL:MODULO CS



D MONTAGE- UND GEBRAUCHSANWEISUNG

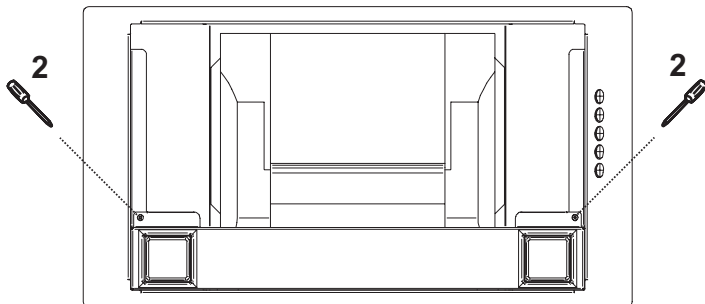
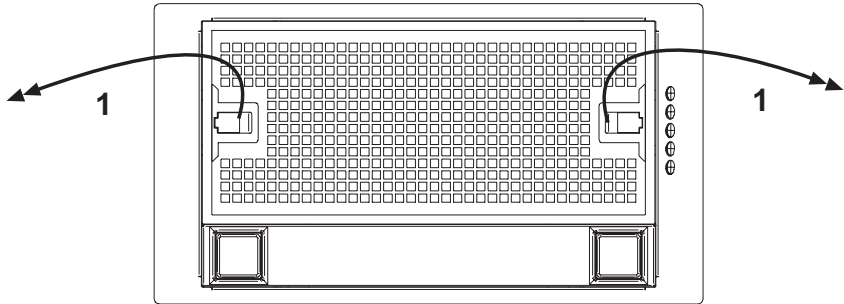
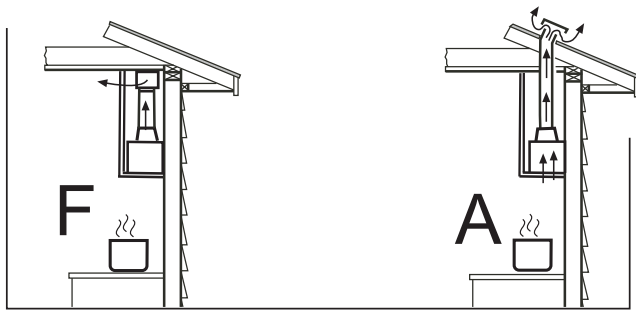
GB INSTRUCTION ON MOUNTING AND USE

F PRESCRIPTIONS DE MONTAGE ET MODE D'EMPLOI

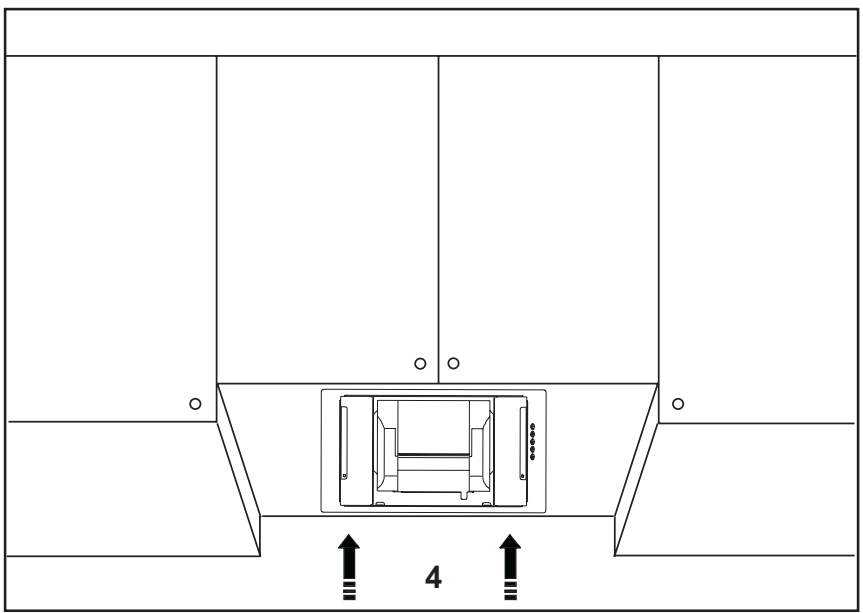
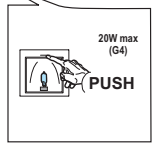
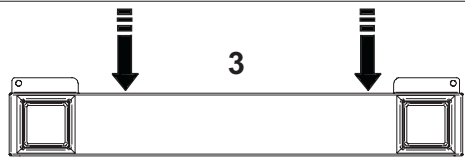
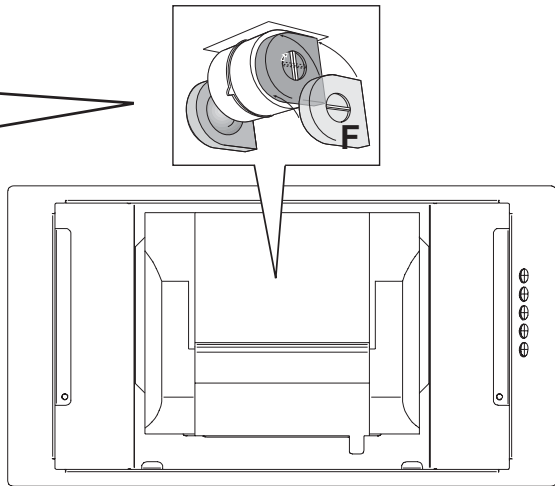
NL MONTAGEVOORSCHRIFTEN EN GEBRUIKSAANWIJZING

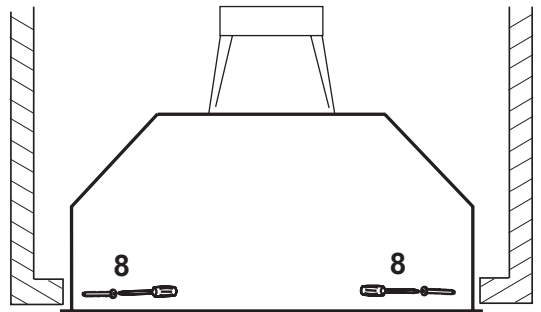
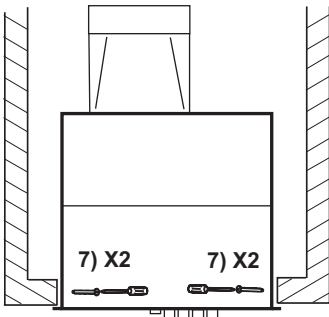
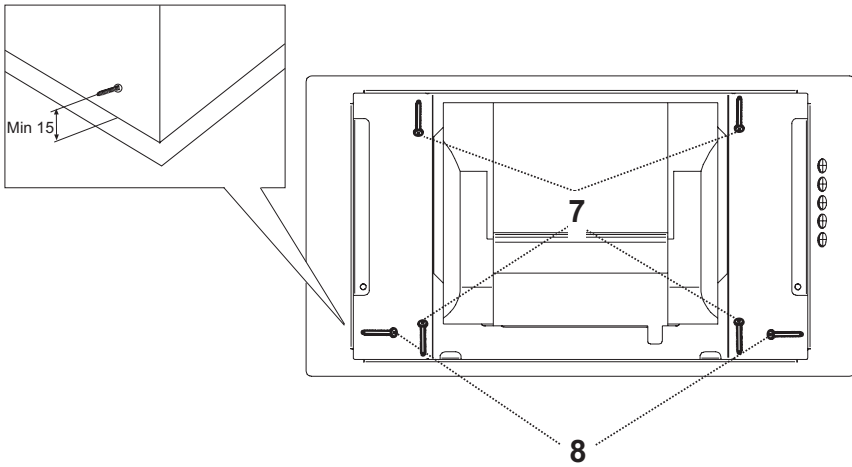
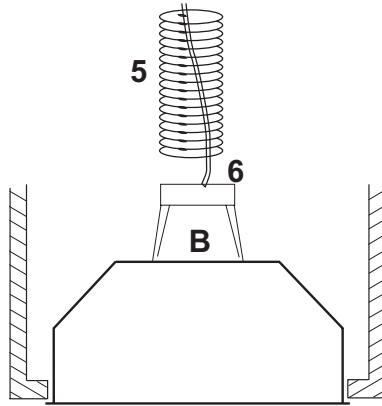
E MONTAJE Y MODO DE EMPLEO

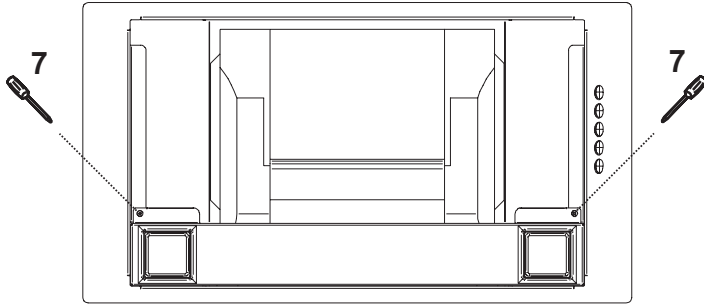
I ISTRUZIONI DI MONTAGGIO E D'USO



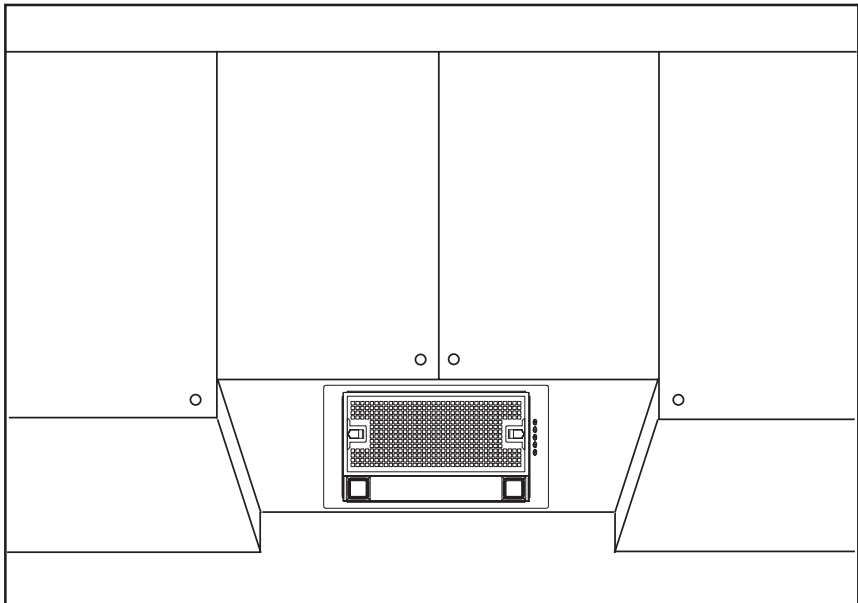
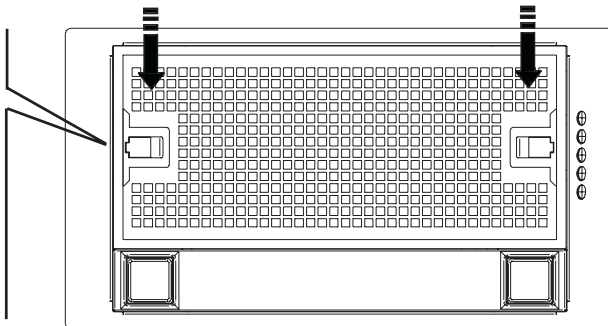
- Aktivkohlefilter
- Charcoal Filter
- Filtre à charbon
- Koolstofffilter
- Filtro al carbòn
- Filtro al carbone
- Kolfilter
- Aktiv szenes filter
- Uhoľný filter
- Filtr węglowy
- Filtr s uhlíkem
- Kulfilter
- karbon filtre
- Karbonski filter
- Φίλτρο άνθρακα







- Fetfilter
- Anti-grease Filter
- Filtre antigrasse
- Vetfilter
- Filtro antigrasa
- Filtro antigrasso
- Fetfilter
- Zsírszűrő filter
- Protitukový filter
- Filtr przeciw tłuszczowy
- Filtr proti masnotám
- Fedfilter
- Υαδ όñλεμε φίτρεσι
- Filtar za masnoæu
- Φίλτρο για τα λίποι



GB INSTRUCTION ON MOUNTING AND USE

Consult the designs in the front pages referenced in the text by alphabet letters. **Closely follow the instructions set out in this manual.** All responsibility, for any eventual inconveniences, damages or fires caused by not complying with the instructions in this manual, is declined.

Installation

The cooker hood must be placed at a minimum distance of 65 cm from the cooking plane for electric cookers and 75cm for gas or mixed cookers.

If the instructions for installation for the gas hob specify a greater distance, this has to be taken into account.

Do not tile, grout or silicone this appliance to the wall. Surface mounting only. Do not fix chimney flue to furniture or fly over shelves unless the chimney flue can be easily removed, in case maintenance is ever required.

Use

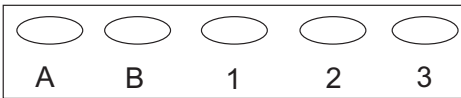
The cooker hood is provided with an upper air exit **B** for discharging fumes externally for models including chimney flue **C** (**Suction Version A-** exhaust pipe not supplied).

If cooking fumes and vapours cannot be externally discharged, the cooker hood can be used in the **recirculating version F**: the installation of 1 active charcoal filter **F** .

Electrical connection

Make sure that there is a power socket near the hood and that the system has a 30 mA differential. The mains voltage must be the same as that on the label inside the hood. The hood has a 1250 mm power cable with or without plug: if it does have a plug, connect the hood to an accessible approved socket; or if it does not (connection direct to the mains), fit an approved bipolar switch with a minimum contact opening of no less than 3 mm (accessible). This installation and electrical connection must be executed by a qualified technician.

Operation



A – lights ON/OFF

B –motor speed OFF

1 – 2 – 3 adjustment hood speed: minimum (1), average (2), maximum (3)

In the case of an excessive concentration of steam, adjust the hood to maximum speed. We advise starting the hood five minutes before beginning to cook and continue the function for at least 15 minutes after having finished cooking.

Maintenance

Prior to any maintenance operation ensure that the cooker hood is disconnected from the electrical outlet.

Cleaning

The hood must be cleaned frequently both inside (apart from the area behind the grease filter) and outside. Use a cloth moistened with denatured alcohol or neutral liquid detergents. Never use products containing abrasives.

Warning: Failure to carry out the basic standards of the cleaning of the cooker hood and replacement of the filters may cause fire risks. Therefore we recommend observing these instructions.

Anti-grease Filter:

must be cleaned once a month, with non abrasive detergents, by hand or in dishwasher on low temperature and short cycle.

When washed in a dishwasher, the grease filter may discolour slightly, but this does not affect its filtering capacity.

Charcoal Filter - (only for filter version)

The active charcoal filters **F** are not washable nor regenerative. It should be changed every 6 months in normal use.

The active charcoal filters capture unpleasant cooking odours.

Replacing lightbulbs

Warning! Prior to touching the light bulbs ensure they are cooled down.

Open the light cover by pressing with a finger the part marked „push“.

Replace the dead bulb.

Use only a halogen bulb of 20W max (G4), taking care not to touch it with naked hands.

Close the light cover.

Led Light

If the lighting group LED does not work, please contact the technical service center in order to replace the whole group.

GB INSTRUCTION ON MOUNTING AND USE

Caution

Never use the hood without the grill properly fitted!


WARNING:

The accessible components can overheat when the cooktop is in use.

The hood must not be connected to the flues of other appliances that run on gas or other fuels. When the hood is used at the same time as other appliances that run on gas or other fuels, provision must be made for an adequate supply of air. No food must be cooked flambé underneath the hood. The use of an unprotected flame could cause damage to the filters and could cause fires, so should be avoided. When frying food, never leave the pan unattended because the cooking oil could flare up. Please comply with the technical and safety provisions set forth by your local competent authorities regarding the ventilation of hoods.

This appliance conforms to European Directive 2002/96/EC, Waste Electrical and Electronic Equipment (WEEE). Please dispose of this product correctly in the interest of health and the environment.



The symbol  on the product, or on the documents accompanying the product, indicates that this appliance may not be treated as household waste. Instead it shall be handed over to the applicable collection point for the recycling of electrical and electronic equipment. Disposal must be carried out in accordance with local environmental regulations for waste disposal.

For more detailed information about treatment, recovery and recycling of this product, please contact your local city office, your household waste disposal service or the shop where you purchased the product.

The device must not be used by a child or adult who suffers from a physical, mental or sensory handicap or has not the relevant experience and knowledge, unless they are aided or instructed on its use by a person responsible for their safety.

If the power cable is damaged you should, in the interest of safety, contact the manufacturer or the manufacturer's technical assistance service to request a replacement, or ask someone who is similarly qualified.