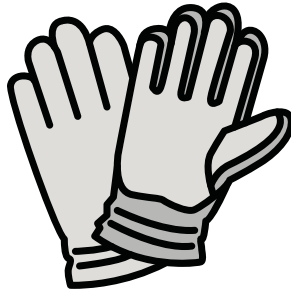




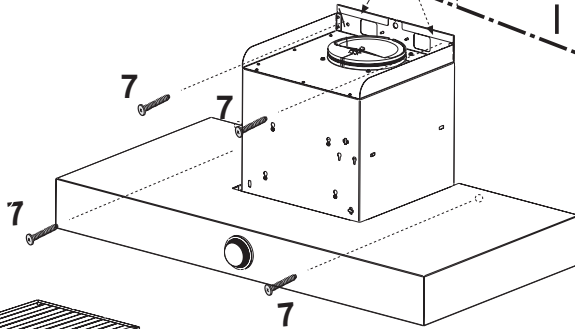
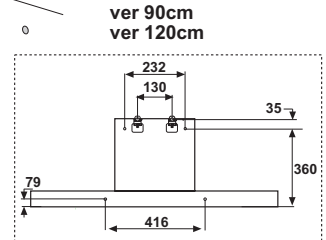
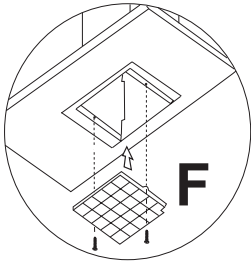
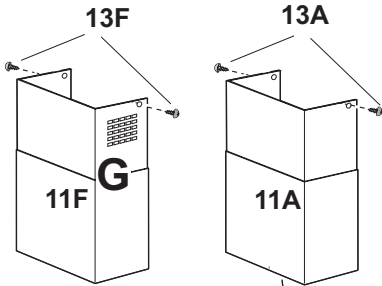
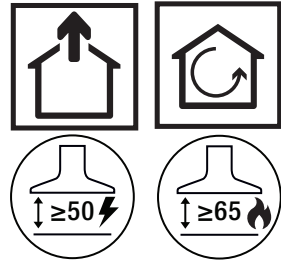
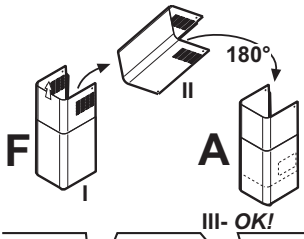
**VIS HEAD-FREE  
VIS BOXY  
VIS BOXY ISLAND**

<b>D</b>	<b>MONTAGE- UND GEBRAUCHSANWEISUNG</b>
<b>GB</b>	<b>INSTRUCTIONS ON MOUNTING AND USE</b>
<b>F</b>	<b>PRESCRIPTIONS DE MONTAGE ET MODE D'EMPLOI</b>
<b>NL</b>	<b>MONTAGEVOORSCHRIFTEN EN GEBRUIKSAANWIJZING</b>
<b>ES</b>	<b>MONTAJE Y MODO DE EMPLEO</b>
<b>I</b>	<b>ISTRUZIONI DI MONTAGGIO E D'USO</b>



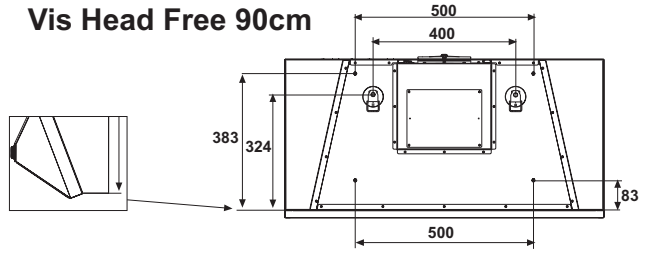


- IT *Per tutte le operazioni di installazione e manutenzione utilizzare guanti da lavoro*
- EN *Always wear work gloves for all installation and maintenance operations*
- DE *Bei allen Installations- und Instandhaltungsarbeiten immer Schutzhandschuhe tragen.*
- FR *Munissez-vous de gants de travail avant d'effectuer toute opération d'installation et d'entretien.*
- NL *Draag bij alle installatie- en onderhoudswerkzaamheden werkhandschoenen.*
- ES *Todas las operaciones de instalación y mantenimiento se deben realizar utilizando guantes de trabajo.*
- PT *Para todas as operações de instalação e manutenção, utilize luvas adequadas para este tipo de atividade*
- GR *Πάντοτε να φοράτε γάντια εργασίας για όλες τις επεμβάσεις εγκατάστασης και συντήρησης.*
- SV *Använd alltid skyddshandskar vid installation och underhåll.*
- FI *Käytä asennus- ja huoltotöissä suojakäsineitä.*
- NO *Ved alle installasjonsprosedyrer og alt vedlikehold av ventilatoren må man bruke arbeidshansker*
- DA *Ved alle installations- og vedligeholdelsesindgreb skal der bæres arbejdshandsker.*
- PL *Wszelkie czynności montażowe i konserwacyjne wykonywać w rękawicach ochronnych.*
- CZ *Při všech instalačních a údržbových pracích používejte pracovní rukavice*
- SK *Pri všetkých inštaláčnych a údržbárskych prácach používajte ochranné pracovné rukavice.*
- HU *Valamennyi üzembe helyezési és karbantartási művelethez használjon védőkesztyűt*
- BG *за всички операции по инсталуване и техническо обслужване използвайте работни ръкавици.*
- RO *Pentru toate operațiile de instalare și întreținere utilizați mănuși de protecție.*
- RU *Для выполнения всех операций по установке и уходу используйте рабочие перчатки.*
- ET *Kasutage paigaldus- ja hooldustöödel kaitsekindaid.*

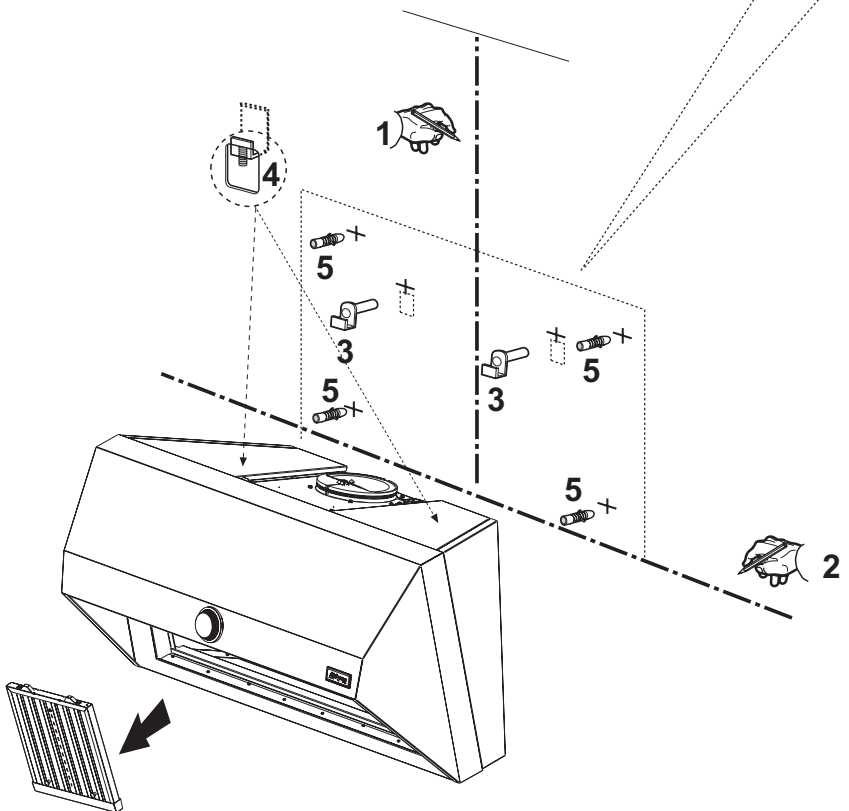
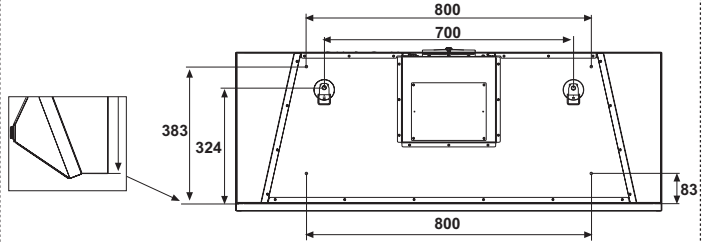


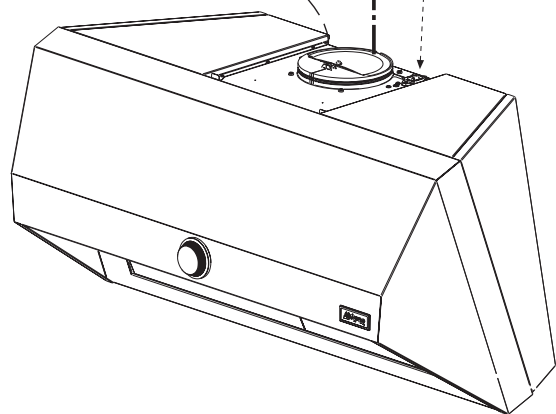
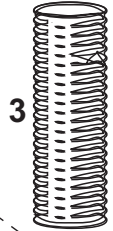
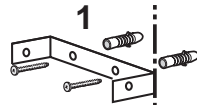
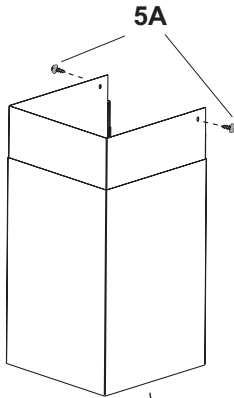
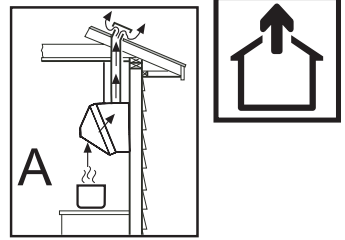
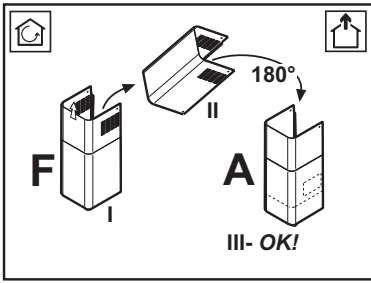


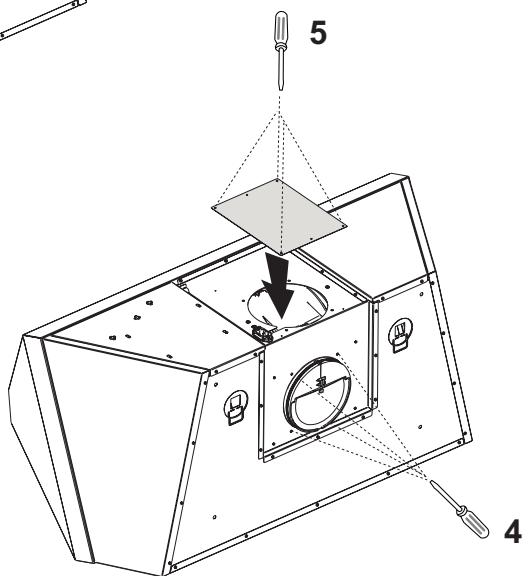
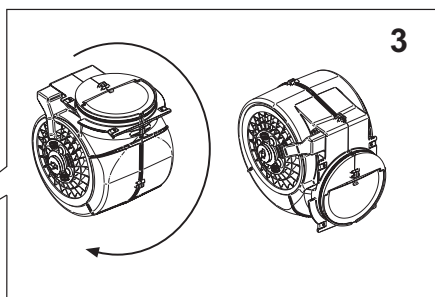
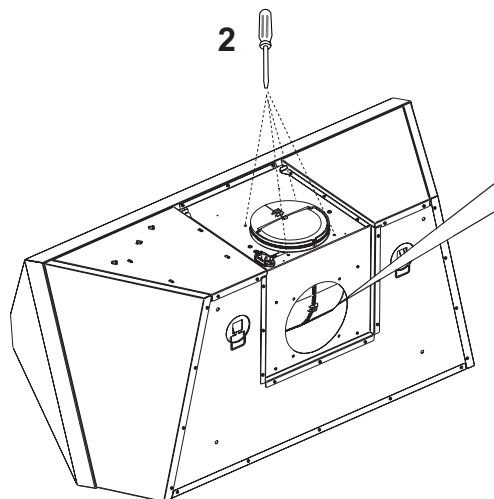
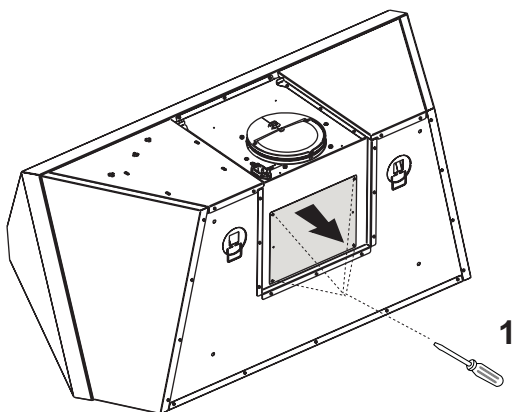
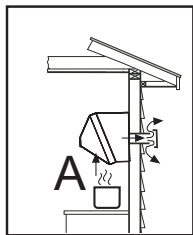
### Vis Head Free 90cm

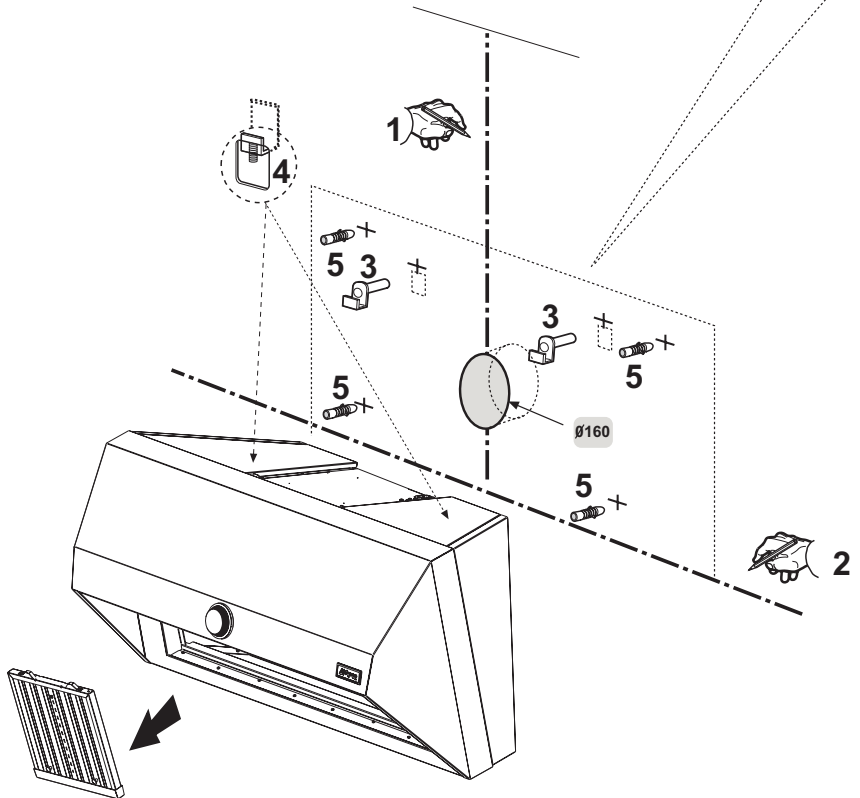
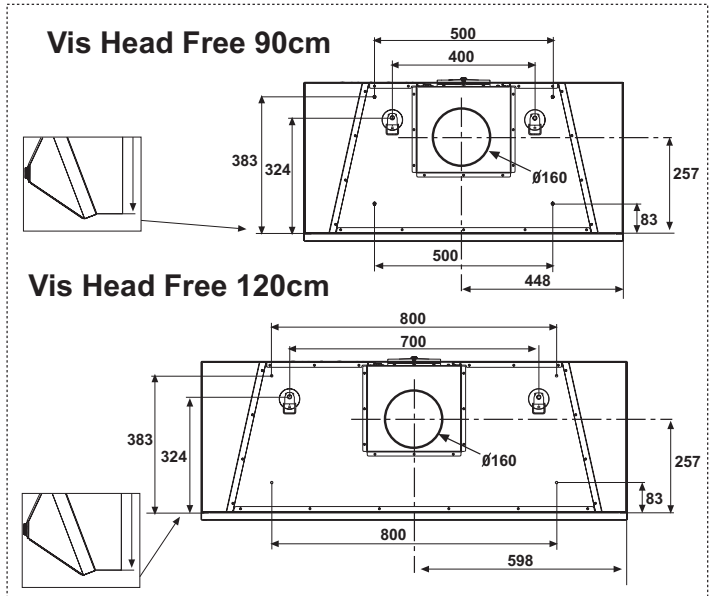
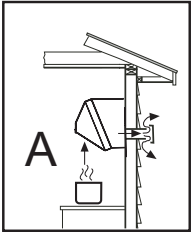


### Vis Head Free 120cm

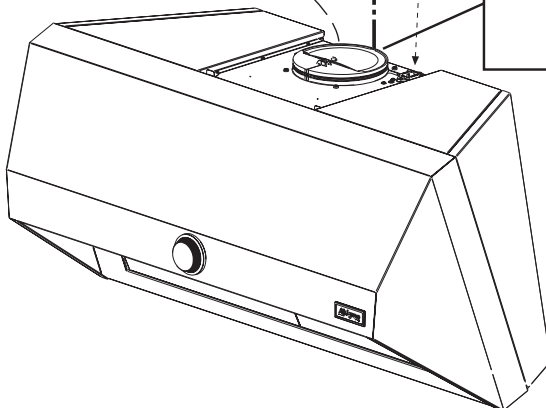
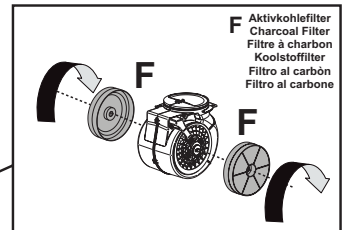
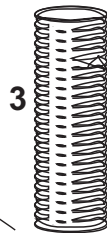
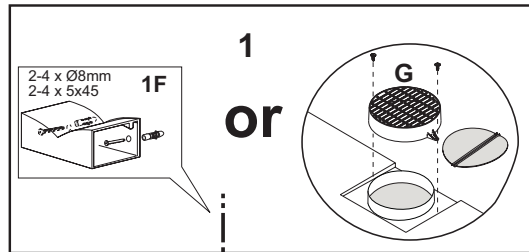
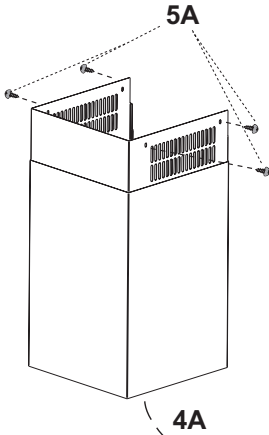
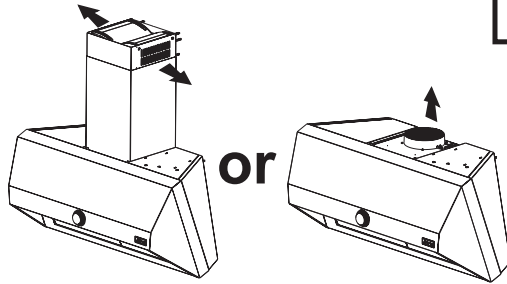
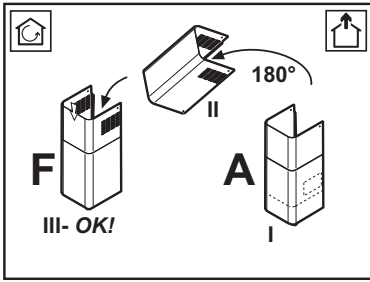






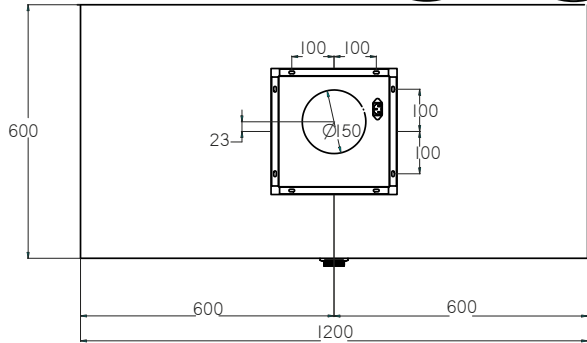




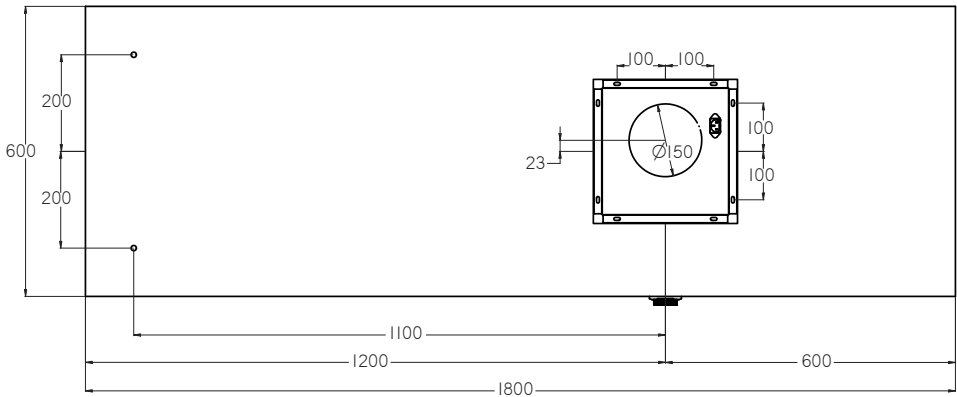




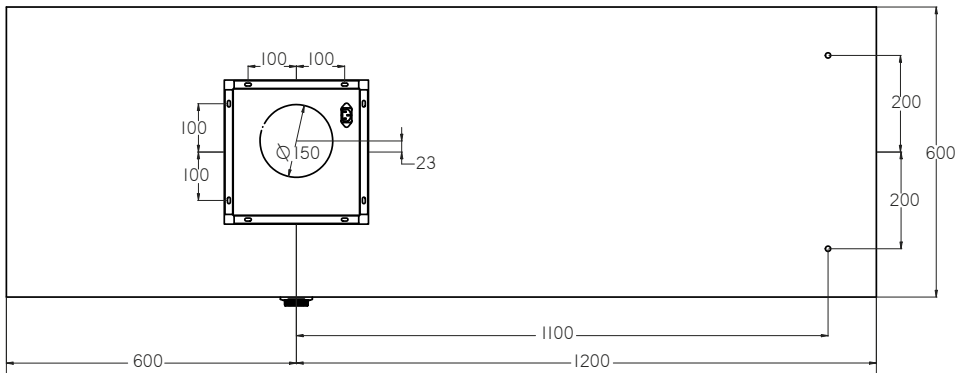
Vis BOXY ISLAND 120cm



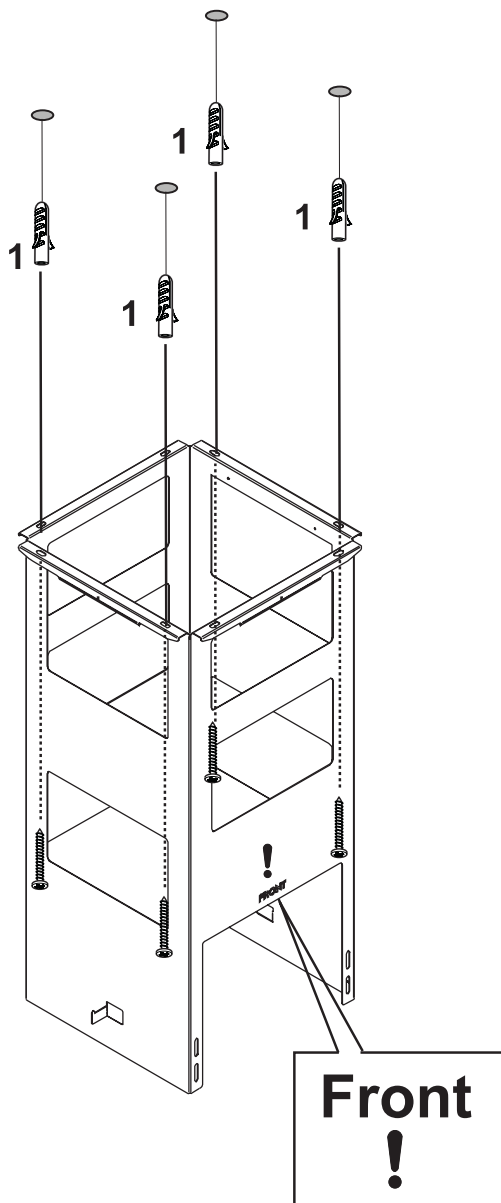
Vis BOXY ISLAND 180cm  
Version DX



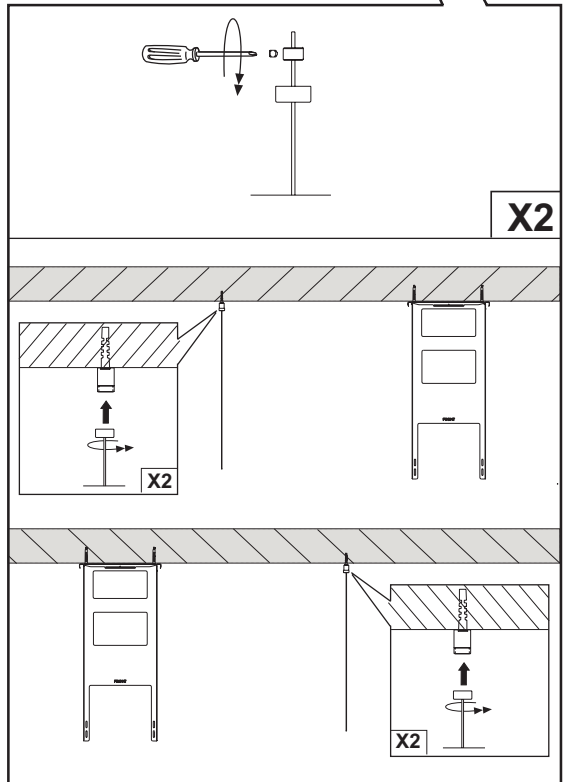
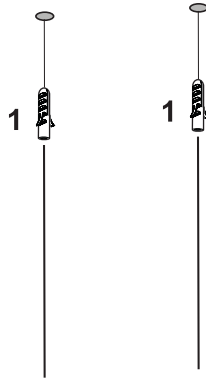
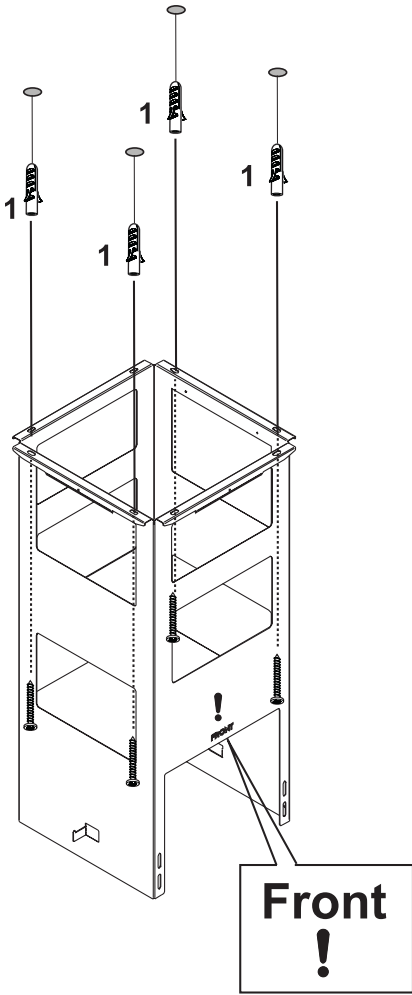
Vis BOXY ISLAND 180cm  
Version SX



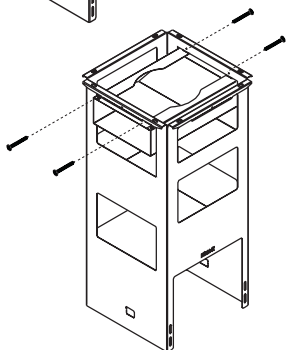
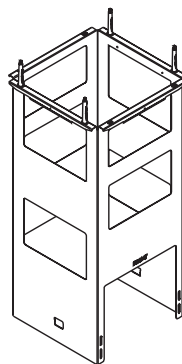
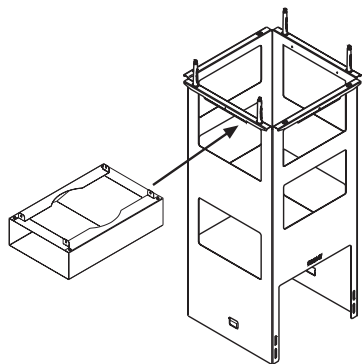
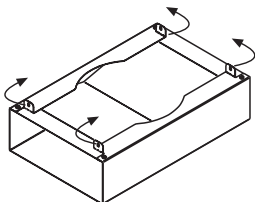
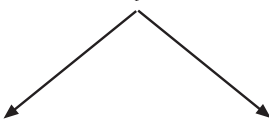
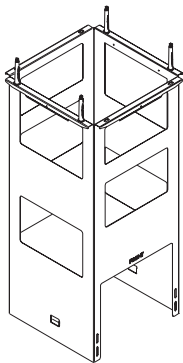
# Vis BOXY ISLAND 120cm



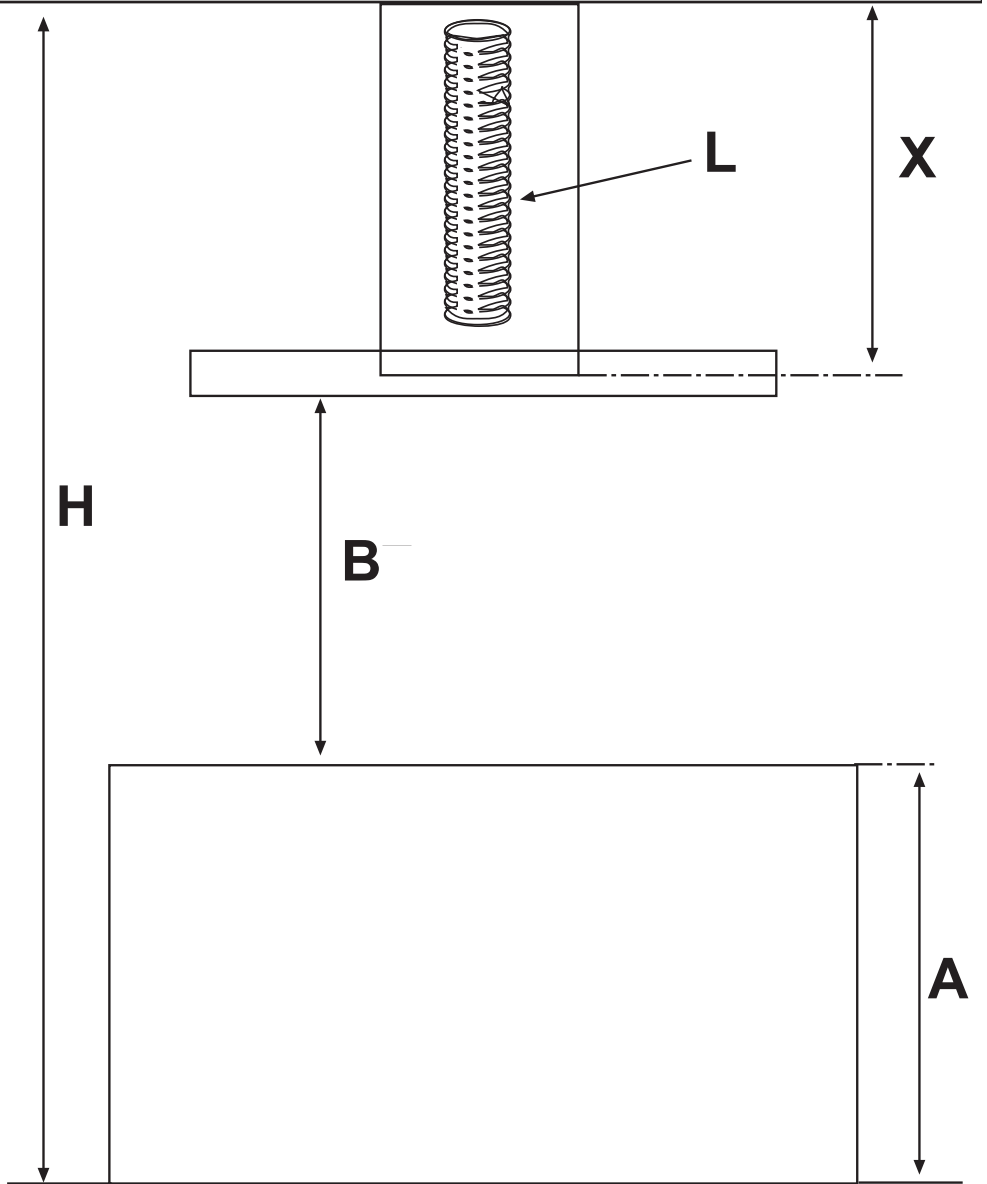
Vis BOXY ISLAND 180cm



Vis BOXY ISLAND 120cm  
Vis BOXY ISLAND 180cm



Vis BOXY ISLAND 120cm  
Vis BOXY ISLAND 180cm

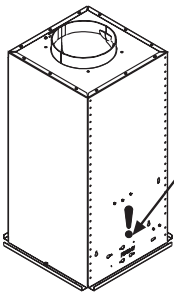
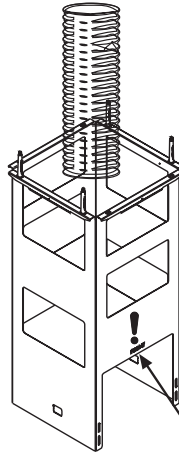
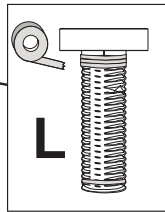
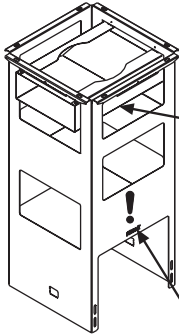
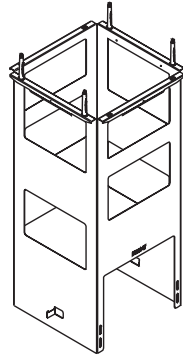
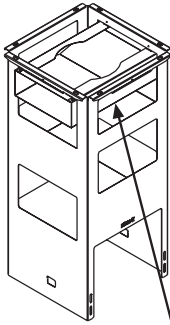


$$X = H - A - (B) - 90$$

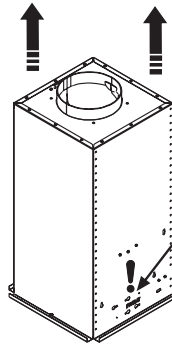
$$X = H - A - (B) - 711$$



Vis BOXY ISLAND 120cm  
Vis BOXY ISLAND 180cm



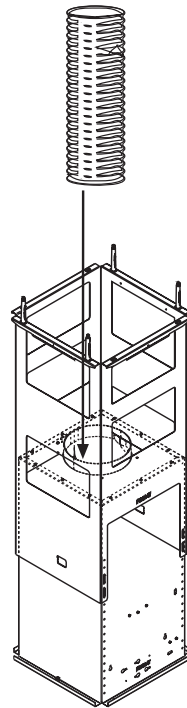
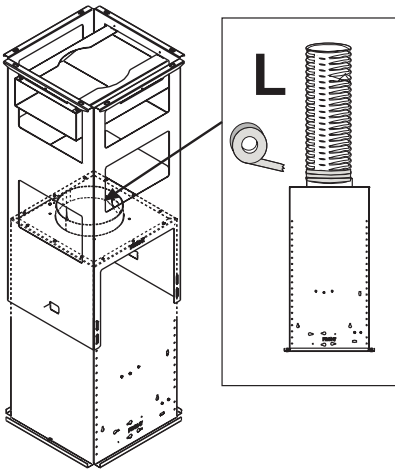
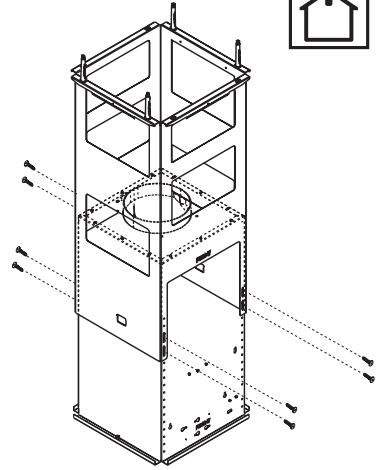
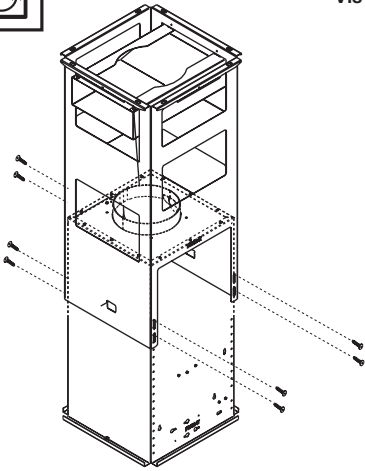
**!**  
**Front**



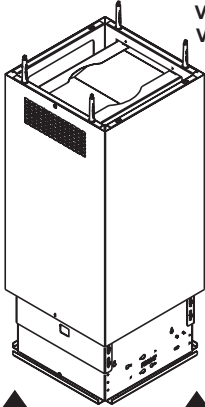
**!**  
**Front**



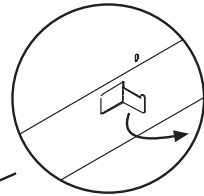
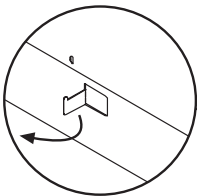
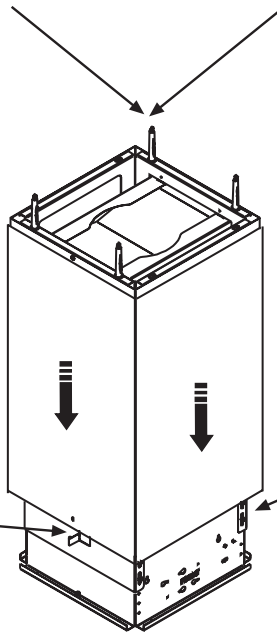
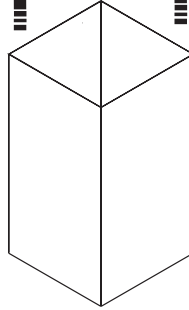
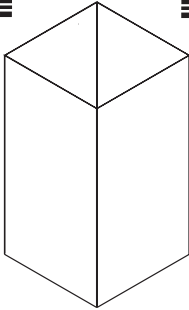
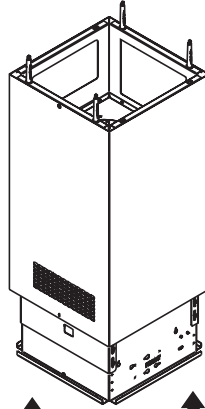
Vis BOXY ISLAND 120cm  
Vis BOXY ISLAND 180cm





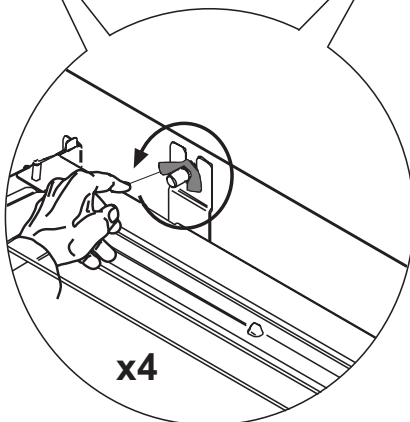
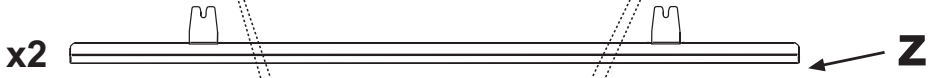
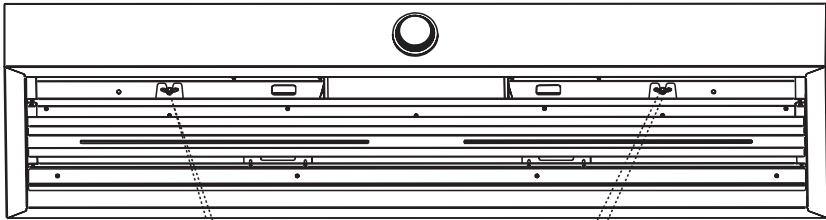
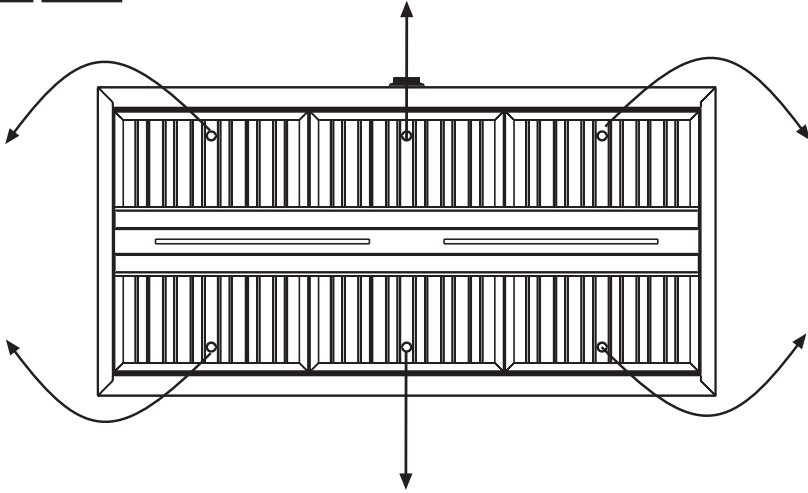


Vis BOXY ISLAND 120cm  
Vis BOXY ISLAND 180cm



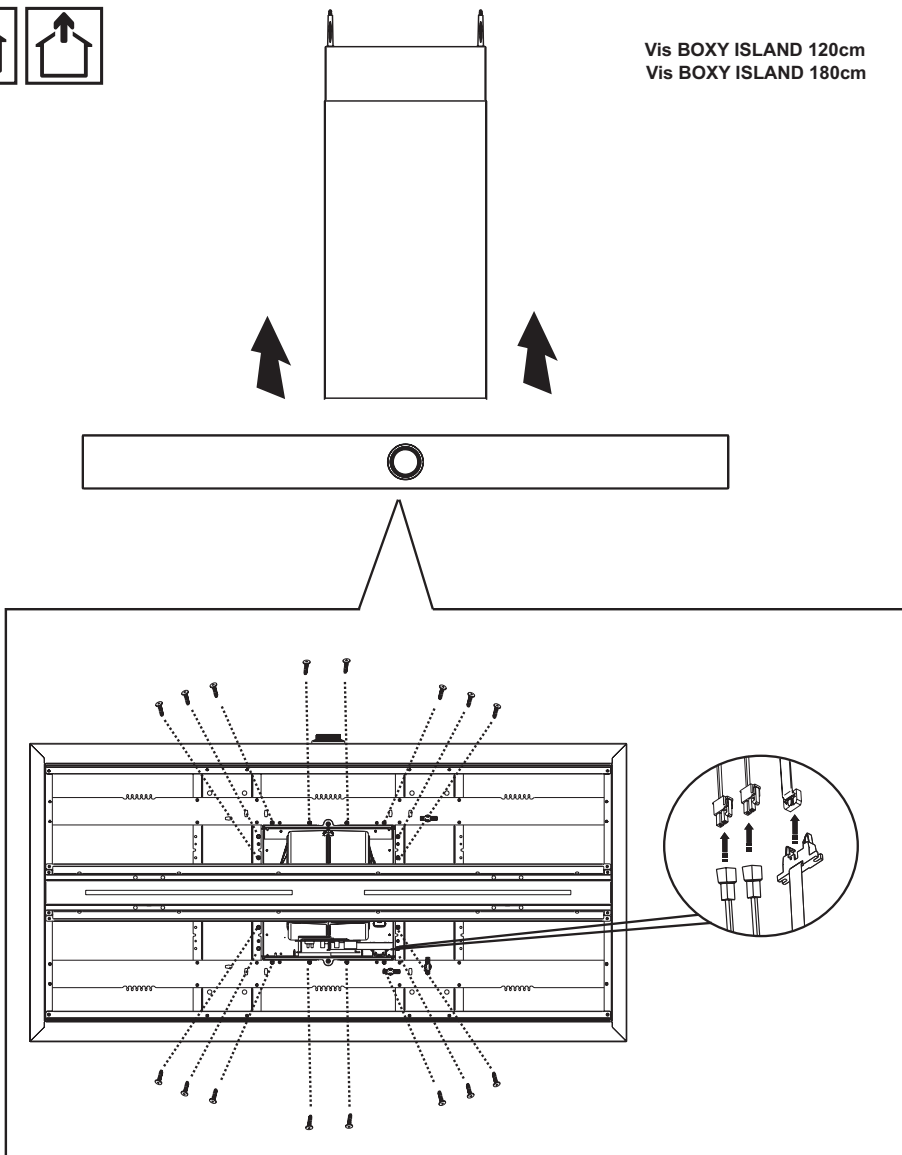


Vis BOXY ISLAND 120cm  
Vis BOXY ISLAND 180cm

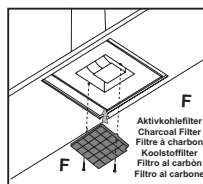
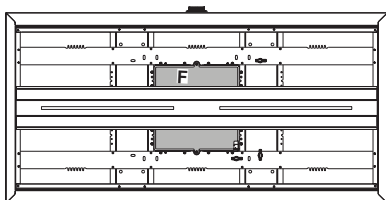




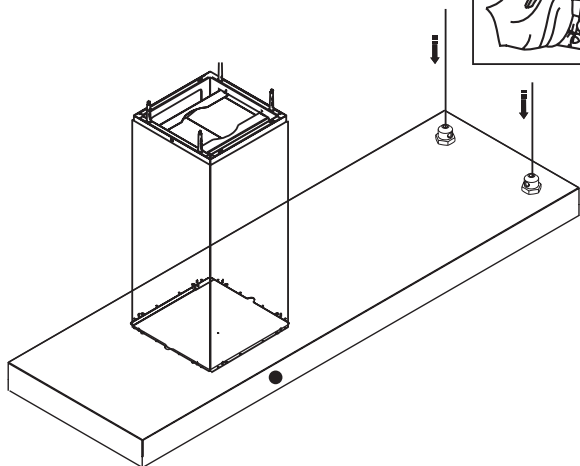
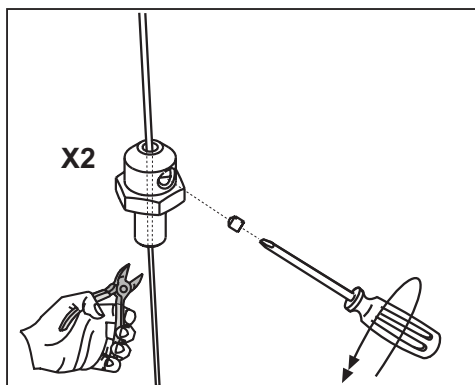
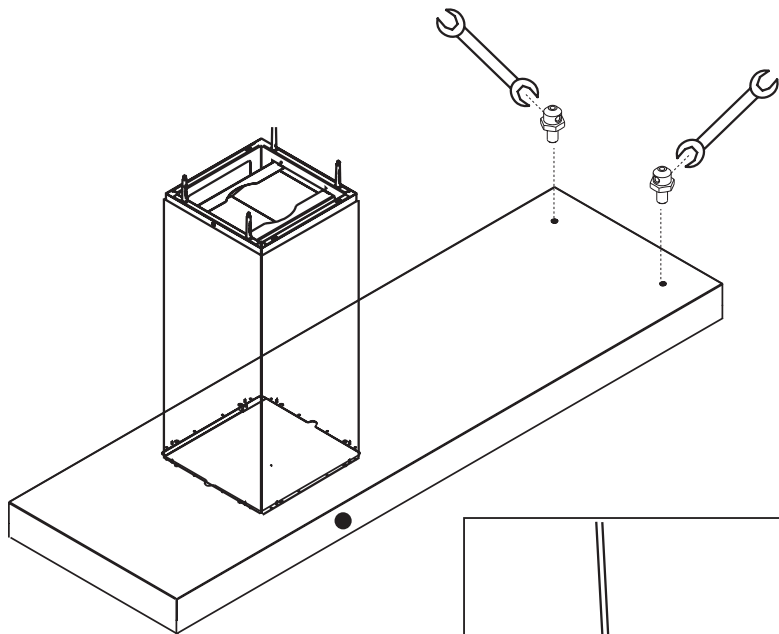
Vis BOXY ISLAND 120cm  
Vis BOXY ISLAND 180cm



Vis BOXY ISLAND 1200cm  
Vis BOXY ISLAND 1800cm



Vis BOXY ISLAND 1800cm




## Warnings

The appliance should not be used by children under 8 years of age and by persons with reduced physical, sensory and mental capabilities, or lack of experience and knowledge, unless they are supervised or have received instructions regarding the safe use of the appliance and are aware of the possible risks. Children must not play with the appliance. Any intended cleaning and maintenance by the user should not be carried out by children unless supervised. The hood should never be used without without the grid properly fitted! Never use the hood without the grill properly fitted!

The accessible components can overheat when the cooktop is in use.

The hood must not be connected to the flues of other appliances that run on gas or other fuels. When the hood is used at the same time as other appliances that run on gas or other fuels, provision must be made for an adequate supply of air. No food must be cooked flambé underneath the hood. The use of an unprotected flame could cause damage to the filters and could cause fires, so should be avoided. When frying food, never leave the pan unattended because the cooking oil could flare up. Please comply with the technical and safety provisions set forth by your local competent authorities regarding the ventilation of hoods.

This appliance conforms to European Directive 2002/96/EC, Waste Electrical and Electronic Equipment (WEEE). Please dispose of this product correctly in the interest of health and the environment.

The symbol  on the product, or on the documents accompanying the product, indicates that this appliance may not be treated as household waste. Instead it shall be handed over to the applicable collection point for the recycling of electrical and electronic equipment. Disposal must be carried out in accordance with local environmental regulations for waste disposal. For more detailed information about treatment, recovery and recycling of this product, please contact your local city office, your household waste disposal service or the shop where you purchased the product. If the power cable is damaged you should, in the interest of safety, contact the manufacturer or the manufacturer's technical assistance service to request a replacement, or ask someone who is similarly qualified.

Check also the drawings on the initial pages with the alphabetical and numerical references in the explanatory text. Closely follow the instructions in this manual. We cannot accept liability for any faults, detriment or fire damage to the appliance due to non-compliance with the manual's instructions.

**Y**ou should affix the hood to a wall of sufficient weight-bearing capacity.

**VIS BOXY , VIS BOX ISLAND** The cooker hood must be placed at a minimum distance of 50 cm from the cooking plane for electric cookers and 65 cm for gas or mixed cookers. If the instructions for installation for the gas hob specify a greater distance, this has to be taken into account.

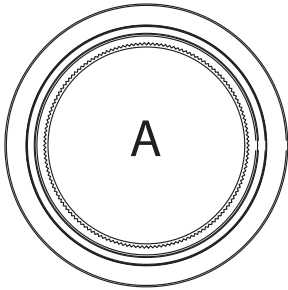
**VIS HEAD FREE** The cooker hood must be placed at a minimum distance of 40 cm from the cooking plane for electric cookers and 50 cm for gas or mixed cookers. If the instructions for installation for the gas hob specify a greater distance, this has to be taken into account.

Do not tile, grout or silicone this appliance to the wall. Surface mounting only. Do not fix chimney flue to furniture or fly over shelves unless the chimney flue can be easily removed, in case maintenance is ever required.

**M**ake sure that there is a power socket near the hood and that the system has a 30 mA differential. The mains voltage must be the same as that on the label inside the hood. The hood has a 1250 mm power cable with or without plug: if it does have a plug, connect the hood to an accessible approved socket; or if it does not (connection direct to the mains), fit an approved bipolar switch with a minimum contact opening of no less than 3 mm (accessible). This installation and electrical connection must be executed by a qualified technician.

**P**roduct performance test carried out in accordance with standard (EU) No 65/2014-Ref: IEC 61591

Maximum performance is achieved by placing the mobile panels, if any, in the open position.



A: ON/OFF Lights: pressing the knob will turn the lights on or off cooker hood.

Turning the knob clockwise increases the suction speed.

Turning the knob counterclockwise decreases the suction speed.

The highest suction speeds are considered intensive and are signaled by the flashing light on the control.

## Maintenance

Prior to any maintenance operation ensure that the cooker hood is disconnected from the electrical outlet.

### Cleaning

The hood must be cleaned frequently both inside (apart from the area behind the grease filter) and outside. Use a cloth moistened with denatured alcohol or neutral liquid detergents. Never use products containing abrasives.

### Warning

Failure to carry out the basic standards of the cleaning of the cooker hood and replacement of the filters may cause fire risks. Therefore we recommend observing these instructions.

### Anti-grease Filter

must be cleaned once a month, with non abrasive detergents, by hand or in dishwasher on low temperature and short cycle. When washed in a dishwasher, the grease filter may discolour slightly, but this does not affect its filtering capacity.

### Charcoal Filter - (only for filter version)

The active charcoal filters F are not washable nor regenerative. It should be changed every 6 months in normal use. The active charcoal filters capture unpleasant cooking odours.

### Replacing lightbulbs

Warning! Prior to touching the light bulbs ensure they are cooled down.

### Led Light

If the lighting group LED does not work, please contact the technical service center in order to replace the whole group.

**Z** :All hoods are equipped with a removable and washable condensate collection tray

Condensate collection tray maintenance

The tray should be emptied and cleaned AT LEAST once a week or more frequently depending on the time when using the hood.

### Reducing environmental impact:

To reduce energy consumption, we recommend you always use the lowest suction speed among those suitable for the cooking mode currently active, avoid leaving the appliance running for more than 15 minutes after burner shutdown and switch off the lights if you leave the cooking area.



